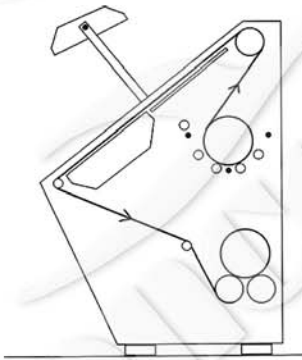


# Fabric Inspection Machines

## CDK5 Woven Fabric Inspection and Manual Picking Machine

Inspection and high speed measuring machine with data collection and analysis system to handle a wide range of rolled woven materials. This system can be supplied to operate from roll to roll, or with various other fabric input and output options.

- Ergonomically designed
- Fast and easily handled, requires only one operator
- Improves material quality
- Synchronizes production processes
- Provides objective process quality reporting
- Accurately measures rolls
- Reduces administration



### Simple fabric input control

Fabric input controlled from free running rollers for simple and affective control.

### End of roll automatic stop sensor - For next roll joining

This will allow for efficient continuous inspection, from roll to roll.

### Full width fabric inspection - With 45 deg. fixed angle inspection screen

Fabric can be examined with the aid of different viewing and lighting options.

### Accurate fabric length and optional weight measurements

Fabric roll length and weight can be taken using industrial standard measuring systems with digital readouts to give consistent fabric roll assessments.

### Consistent roll output - With twin rewind rollers and roll hardness adjustment

Processed rolls are rewound with the minimum amount of tension and are consistent from roll to roll.

### Adjustable tension

Manual adjustable tension of fabric when rewinding.

### Data collection and analysis system - With fabric fault tagging

100% fabric inspection with simple push-button accurate fault logging, roll length and weight measurement allowing for accurate fabric roll analysis and printout.

Technical Specifications	
Speed	0 to 50 meters / minute
Fabric width	1.8 meters
Standard roll diameter	45 cm
Standard roll weight	50Kg
Overall machine height	160cm
Overall machine width x depth	250 x 150cm
Overall machine weight	500Kg
Motor Count	1 AC
Electrical requirement	220V - 240V AC 50Hz

\*\*\* Concorde is a registered Trade Mark of Cihan Makina A.S. \*\*\*

www.cihanmakina.com / cihan@cihanmakina.com - www.concorde-machines.com / concorde@concorde-machines.com

Head Office: Tekstil Kent Koza Plaza A Blok 25.Kat NO: 96 34235 Esenler, Istanbul, TURKEY Tel: +90-212-438 42 50 (Pbx) Fax: +90-212-438 42 40

Factory: Organize Sanayi Bolgesi, 4. Cadde No:8 26110 Eskisehir, Turkey Tel: +90-222-236 00 64 +90-222-236 13 80/ 81/82/ 83

Fax: +90-222-236 03 48 E-mail: fabrika@cihanmakina.com

\*\*\* Since 1950 \*\*\*